



BYRON SHIRE COUNCIL

## PLUMBERS GUIDE TO WATER SERVICE INSTALLATIONS

Prepared by  
Water & Waste Services

## BYRON SHIRE COUNCIL

### Service Installations Plumbers Guide to Water

#### 1. How do I get started?

For new water service connections, tapping and meter installations you must have Councils approval.

Applications are made by Development Application or a Section 68 Activity Application. Applications for approval to work in ROADS and FOOTPATHS should be made at the same time.

#### 2. Approval

It is very important that you, the plumber, obtain a copy of the approval. Approvals may contain certain conditions that can affect a water service installation.

#### 3. Water Meter Connection Forms

Water Meter Connection Forms are issued to whoever is granted the Approval ie. property owner, builder, consultant or plumber. This form is for the plumber to use to book the water meter connection with Council's Water Operators. You will not be able to book a meter connection unless you have this form. **YOU MUST KEEP THIS FORM TO GIVE O THE WATER OPERATOR WHEN THE CONNECTION IS MADE.**

#### 4. Locating Water Mains and other services

- ✓ Water and Sewer main locations            6626 7000
- ✓ DIAL BEFORE YOU DIG                        1100
- ✓ Country Energy                                 13 2356
- ✓ Road and Footpath enquiries contact Councils Asset Acceptance Officer                                6626 7000

#### 5. Tapping the Water Main and Disconnection's

Once you have obtained Approval to work in the road or the footpath and all fees are paid, you can make a booking for a water main tapping or disconnection. To book a tapping you must have a Plumbing Permit.

Council Water Operators tap the water main for water services up to 50mm. Council only inspects disconnection's. Excavations must be as per Council's Diagram.

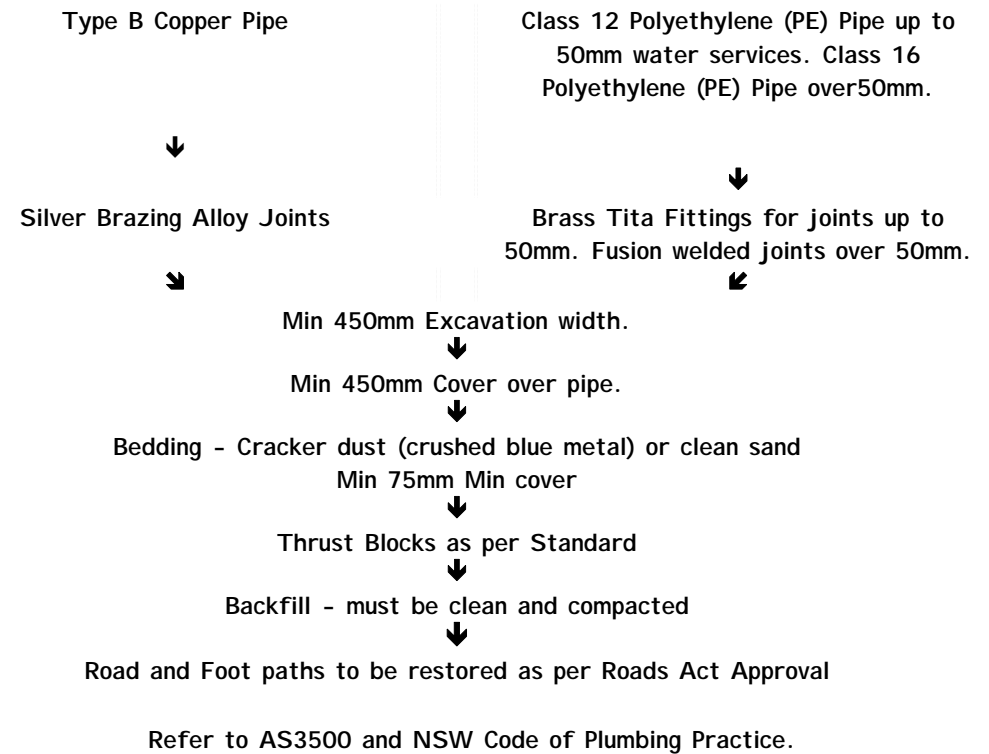
Bookings must be made five working days in advance. Tapping days are Tuesdays and Thursdays.

6. Disconnection of services need to be booked and have an associated fee.

#### 7. How do I book a Tee - insertion?

Wet tapplings can be made to 100mm water mains without the need to turn off the main water supply. However, in some cases a tee must be inserted in the water main. Council requires 21 days notice to organise a water interruption. Notices must be sent to residents giving them 14 days and 24hours notice. Council organises notices for a fee.

#### 8. Basic Water Service Installation Details:



(SEE PLANS ATTACHED) No other products accepted.

9. What you need on site

The plumber is responsible for all materials, bedding, backfill, signage, barriers, excavators and equipment necessary for the water service installation.

BYRON SHIRE COUNCIL

WATER MAIN TAPPING DETAILS

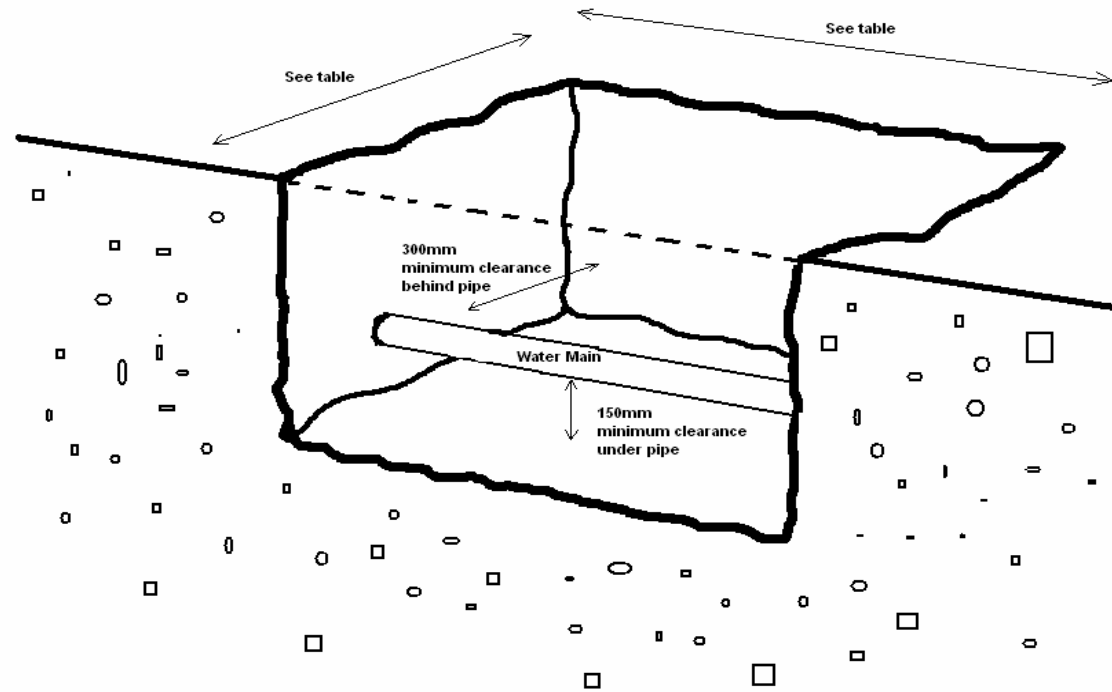
TUESDAY AND THURSDAY - 10:00am till 2:00pm.

BOOKINGS Phone 6626 7000 ➤ Must have Plumbing Permit and tapping/meter fees paid

DIAL BEFORE YOU DIG - 1100

COUNTRY ENERGY - 13 2356

BYRON COUNCIL SERVICE LOCATIONS - 6626 7000

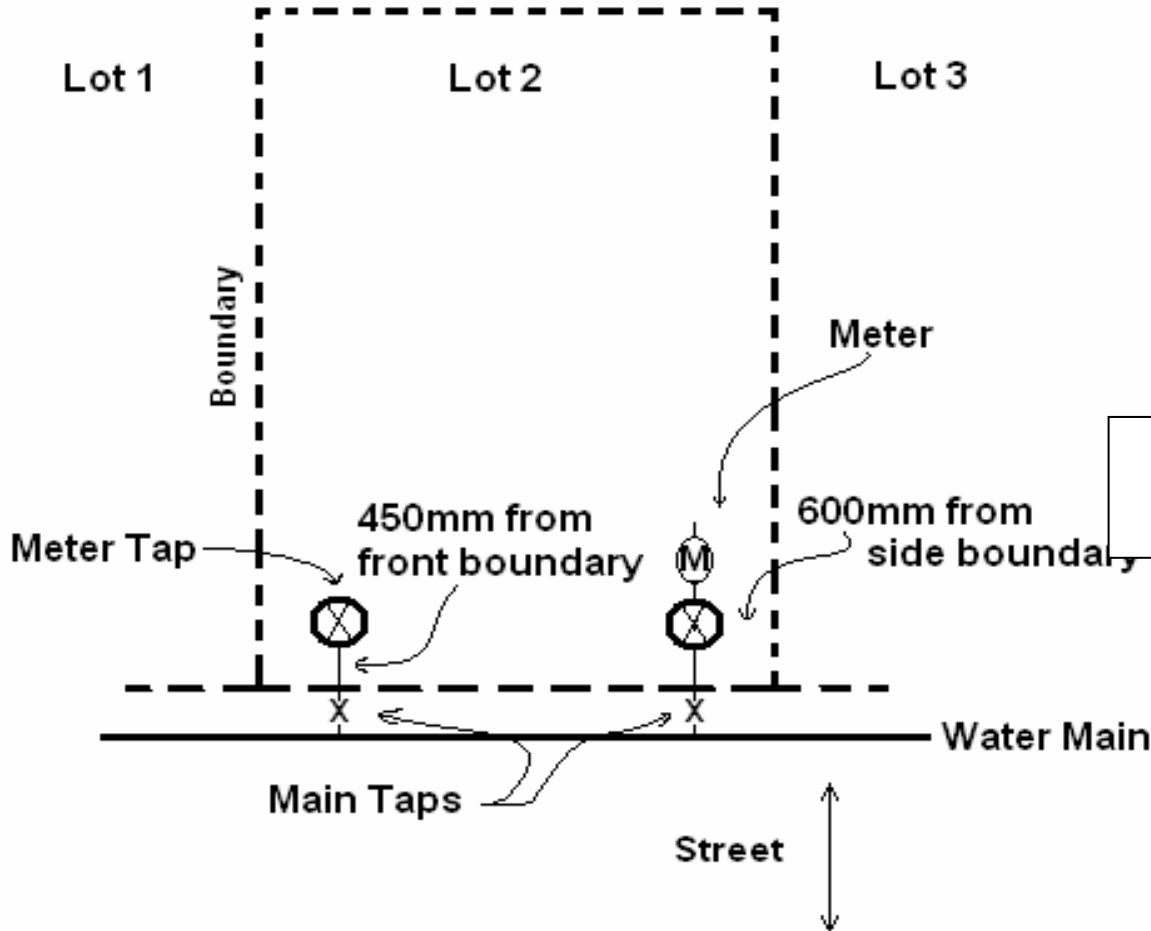


Dimensions of Excavation (mm)		
Length	Width	Depth to top of Water Main
1000	1000	Less than 750
1200	1200	Between 750 - 1500
1500	1500	Over 1500

Note: Shoring or battering to suit the soil conditions & OH&S

BYRON SHIRE COUNCIL

Water Meter Locations within Properties



PART A

BYRON SHIRE COUNCIL  
WATER METER CONNECTION FORM

GIVE THIS FORM TO YOUR PLUMBER

FILE NUMBER:

[Empty box for File Number]

Lot \_\_\_\_\_ DP \_\_\_\_\_ Street  
Number \_\_\_\_\_

Street \_\_\_\_\_ Location \_\_\_\_\_

Council to connect one \_\_\_\_\_ mm Water Meter.

1. The Plumber must book the Water Meter Connection with Byron Shire Council.
2. Connections are done on Tuesdays and Thursdays – ONLY.
3. This form MUST be given to the Water Operator at the time of connection.
4. Pipe work must comply with AS 3500, NSW Code of Plumbing Practice & BSC Standards.

Phone Number for bookings: **6626 7000**

PART B

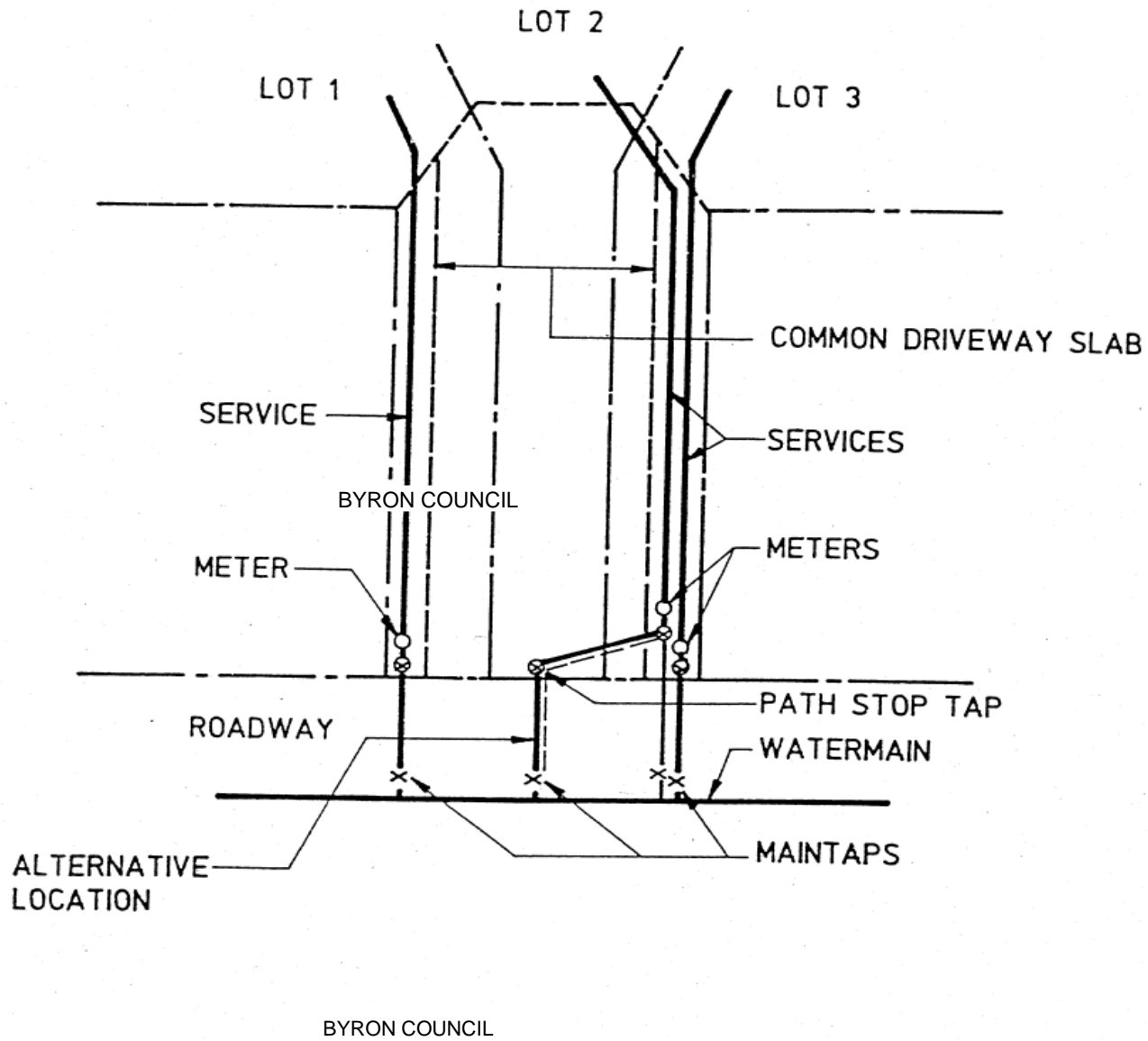
BYRON SHIRE COUNCIL  
WATER METER CONNECTION FORM

GIVE THIS FORM TO YOUR PLUMBER

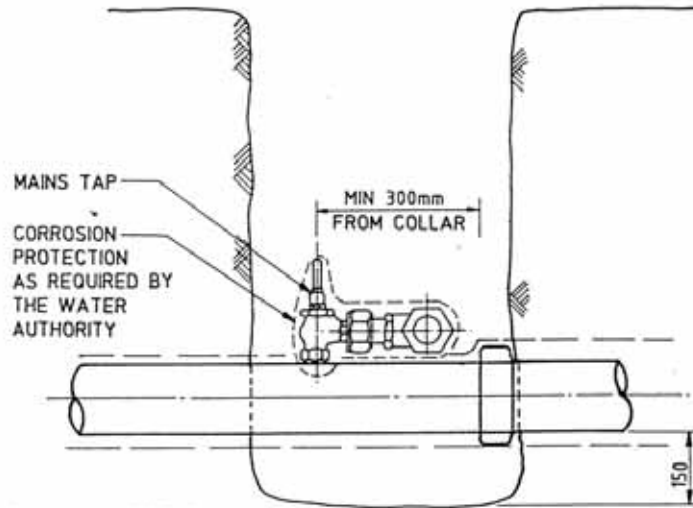
FILE NUMBER:

[Empty box for File Number]

Council to connect one \_\_\_\_\_ mm Water Meter.

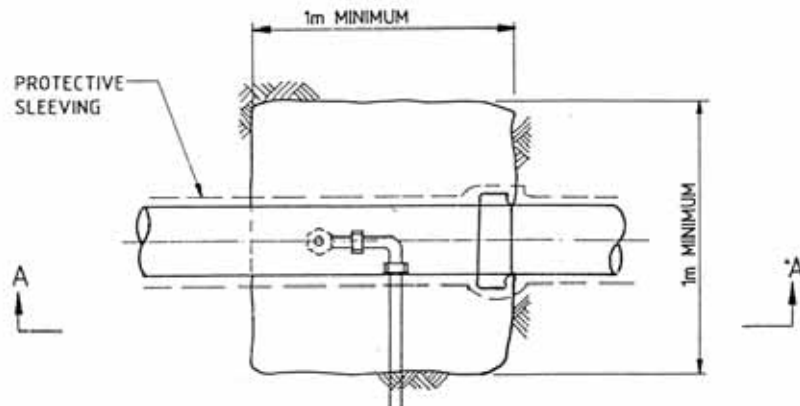


NSW Figure 2 - Location of Water Service and Meters within

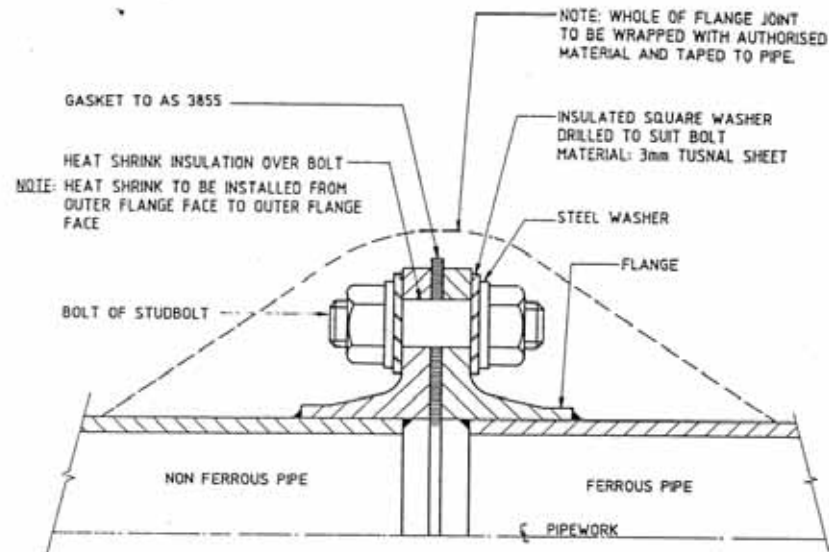


WHERE PROTECTIVE SLEEVING IS IN PLACE LICENCEE IS RESPONSIBLE TO REPAIR ANY DAMAGE TO PROTECTIVE SLEEVING CAUSED DURING EXCAVATION

SECTION A-A



NSW Figure 1 - Standard Excavation at Watermain



NSW Figure 5 - Insulated Flanged Joint for Joining Flanged Ferrous and Non Ferrous Pipe